



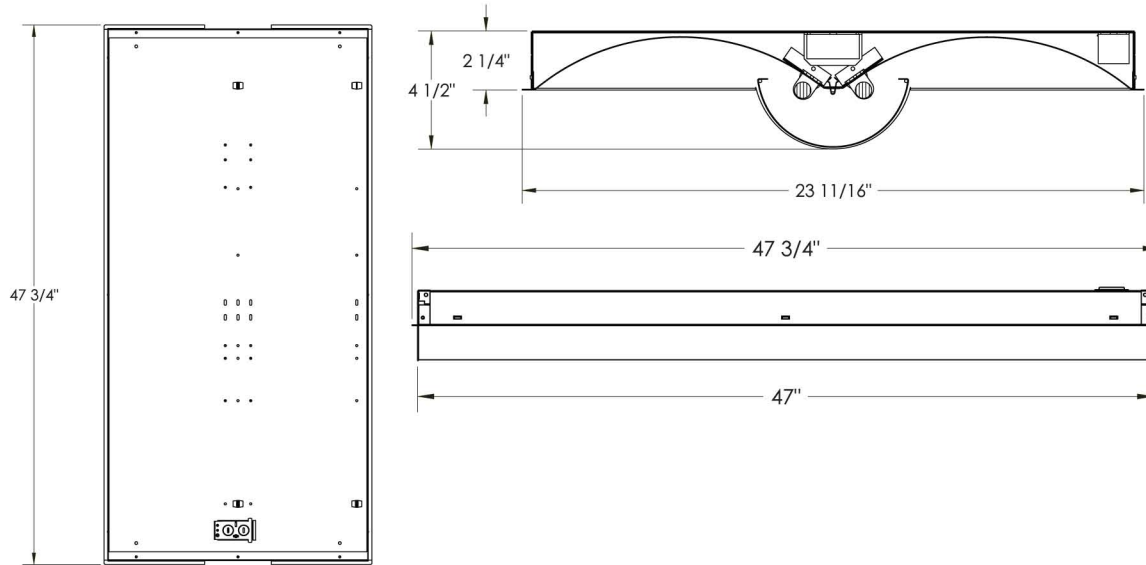
# TDCLS - Troffer Dish Low Basket Slim

Premium-Grade Recessed Direct/Indirect Slim Profile Basket T-Bar Luminaire

Photometrics - Please consult [www.viscor.com](http://www.viscor.com) for photometric results.

## ProductDetails

### Dimensions



ARCHITECTURAL LIGHTING

### Ordering



**Size (Width x Length)**  
2x2  
2x4

**No. of Lamps**  
1L  
2L

**Lamp Watts**  
See Table below

**Voltage**  
120 - 120V  
347 - 347V  
UNV - 120-277V  
UN4 - 347-480V

**Lamp Type**  
T5  
T5HO  
PLL

**Ballast Type**  
N - Instant Start  
P - Program Start

#### Ballast Options

(See Option Code Section For More Information)

- B01 Ballast Disconnect - In-line Power Disconnect (CSA-UL Req'd For Voltages above 150v)
- B02 Dimming Addressable Digital (dali)
- B03 Dimming Low Voltage
- B04 Dimming Line Voltage
- B08 Ballast - High Ballast Factor
- B09 Ballast - Low Ballast Factor
- B30 Emergency Lighting Battery Pack Spec Grade
- B33 Emergency Lighting Battery Pack 1-lamp
- B34 Emergency Lighting Battery Pack 2-lamp

#### Housing Construction Options

Perforated White Shield Standard

- C06 Housing 20 Gauge Riveted
- C07 Housing 20 Gauge Welded

#### Packaging Options

- K0 Bulk Pack

#### Fusing and Breaker Options (select one only)

- T5 Fuseholder, In-line Double Pole
- T6 Fuseholder, In-line Single Pole

#### Wiring Options

- V09 Flexible Whip (standard 6' X 3-18 Ga. )
- V19 Modular Wiring System. (consult Factory.)
- V25 Radio Frequency Filter

#### Approval and Rating Options

- X6 USA Market
- X7 CSA and USA Market

Other options may be available.

#### Example:

TDCLS 2x42L-T5HOPUNV

#### Lamp Watts

Size	Nom. Lamp Watts		
	T5	T5HO	PLL/Biax
2x2	14	24	40, 50 55
2x4	28	54	40, 50, 55

Certain configurations may not be available. Consult the factory for more information.

Note: For recessed drywall applications use either a 2x2 or 2x4 flange kit (page 243).