

Product Specifications - Application Features

Premium-grade, recessed, lay-in direct/indirect coffered T-Bar troffer with modern styling and high visual comfort. For use with indoor applications where contemporary styling and energy-efficiency are primary considerations. This luminaire's low-profile design makes it ideal for shallow or obstructed plenum applications.



Product Specifications

Optical System

Standard diffuser is made with frosted white acrylic. Indirect reflectors are precision formed and contoured to provide soft, low-glare, indirect illumination, while maintaining high-efficiency and a wide uniform lighting distribution. Mini baffle is available with this luminaire. *Optional round or rectangular perforated metal shield is available.

Mounting

This luminaire has been specifically designed for T-Bar applications. Holes provided for chain-mounting support to building structure. Integral earthquake clips.

Construction

Die and brake-formed, heavy-gauge steel housing assembly. Die-formed, perforated cold rolled steel shielding. Precision-formed steel reflector.

Finish

White polyester powder painted visible surfaces. Mini-baffle available with optional finishes.

Electrical

Rotary lampholders ensure positive lamp retention. All electrical components are CSA approved or UL listed. See product selection for optional ballasts. Sufficient knockouts are provided for connections and through wiring. Access plate is located on the back of the unit.

Approvals

Approved to CSA and UL standards (UL, or equivalent, marked only when specified).

Notes

Product Features

- Ideal for shallow or obstructed plenum applications
- Ultra-shallow design
- Available with 2 lamps
- Fits into a standard or 9/16 inch T-Bar grid
- Integral earthquake clips
- Available in 1 x 4, 2 x 2, 2 x 4 and 20 x 60 inch configurations
- Available in T5 configurations

Options&Adders

- Lamps available (please specify colour temperature and wattage)
- Multi-level switching
- Dimmable ballast
- Emergency ballast
- Drywall flange kits available (see page 243)
- Clear, acrylic diffuser with white louver
- Round or rectangular perforated metal shield
- 20 gauge heavy-duty construction
- Air supply/return slots
- Anti-microbial finish
- Flexible metal whip - 6 foot x 3/18 gauge conductors
- Modular wiring system (consult factory)

Applications

- Classrooms
- Healthcare Facilities
- Obstructed/Low Plenum Installations
- Office Area Lighting
- Retail Stores & Supermarkets



*Certain features and configurations may not be available. Consult the factory for more information.

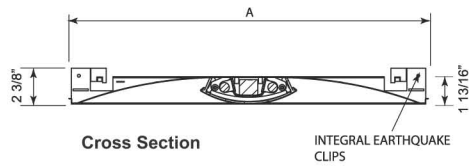
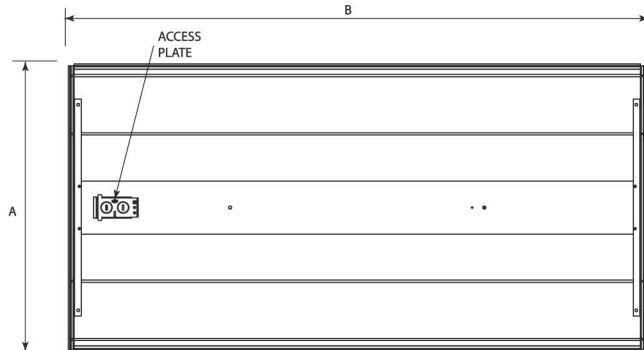
TDLP - Troffer Dish Low-Profile P

Premium-Grade Recessed Direct/Indirect Standard-Efficiency T-Bar Luminaire

Photometrics - Please consult www.viscor.com for photometric results.

ProductDetails

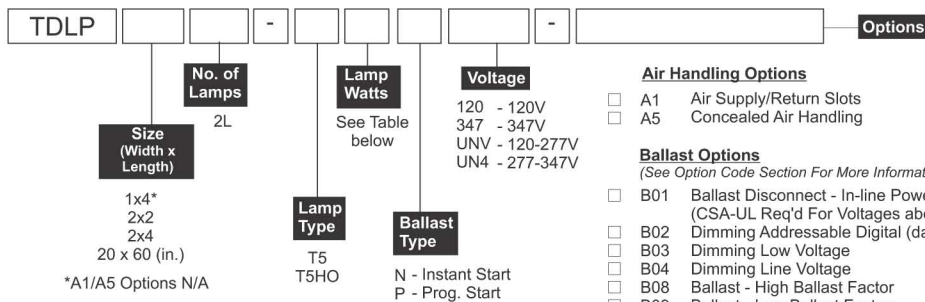
Dimensions



| MODEL | NOMINAL LENGTH | A | B |
|-------|----------------|---------|---------|
| 1x4 | 48" | 11 3/4" | 47 3/4" |
| 2x4 | 48" | 23 3/4" | 23 3/4" |
| 2x2 | 24" | 19 3/4" | 59 3/4" |
| 20x60 | 60" | 19 3/4" | 59 3/4" |

Back View

Ordering



Note: For recessed drywall applications use either a 1x4, 2x2 or 2x4 flange kit (page 243).

Example:

TDLP2x42L-T5HO54PUNV-B01F12P41

Lamp Watts

| Size | Nom. Lamp Watts | |
|-------|-----------------|------|
| | T5 | T5HO |
| 1x4 | 28 | 54 |
| 2x2 | 14 | 24 |
| 2x4 | 28 | 54 |
| 20x60 | 28 | 54 |

Certain configurations may not be available. Consult the factory for more information. On 2x2 size, certain ballast configurations may not be suitable due to size restrictions - please consult factory for more information.

Air Handling Options

- A1 Air Supply/Return Slots
- A5 Concealed Air Handling

Ballast Options

(See Option Code Section For More Information)

- B01 Ballast Disconnect - In-line Power Disconnect (CSA-UL Req'd For Voltages above 150v)
- B02 Dimming Addressable Digital (dali)
- B03 Dimming Low Voltage
- B04 Dimming Line Voltage
- B08 Ballast - High Ballast Factor
- B09 Ballast - Low Ballast Factor
- B30 Emergency Lighting Battery Pack Specification Grade (s/w external ballast box)
- B33 Emergency Lighting Battery Pack 1-lamp (s/w external ballast box)
- B34 Emergency Lighting Battery Pack 2-lamp (s/w external ballast box)

Housing Construction Options

- C06 Housing 20 Gauge Riveted
- C45 Housing for 9/16-inch T-Bar

Packaging Options

- K0 Bulk Pack

Finishes

- F12 White Flat Anti-Microbial

Baffle & Diffuser Options

(Frosted Ribbed Linear Acrylic Lens Is Standard - P41)

- C24 Shield Rectangular Perforated Matte White
- C26 Shield Perforated Hole Pattern Matte White
- L31 Mini Baffle With Straight Blade
- P40 Clear Ribbed Linear Acrylic Lens
- P41 Frosted Ribbed Linear Acrylic Lens

Fusing and Breaker Options (select one only)

- T5 Fuseholder, In-line Double Pole
- T6 Fuseholder, In-line Single Pole

Wiring Options

- V09 Flexible Whip (standard 6' X 3-18 Ga.)
- V19 Modular Wiring System. (consult factory)

Approval and Rating Options

- X6 USA Market
- X7 CSA and USA Market

Other options may be available.