



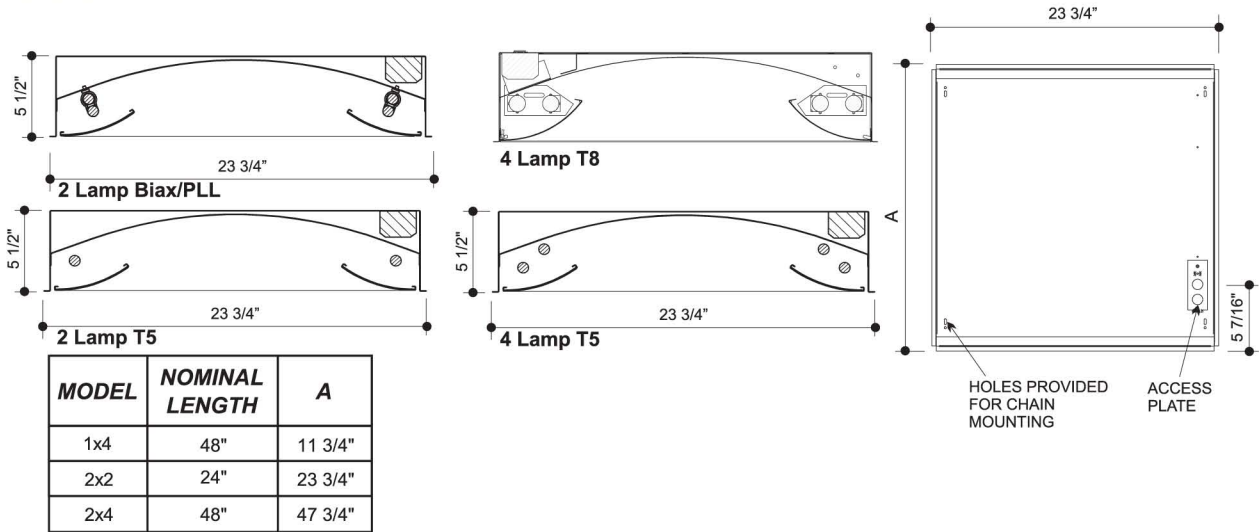
# TDSW - Troffer Dish Side Basket

Premium-Grade Recessed Direct/Indirect Side Basket T-Bar Luminaire

Photometrics - Please consult [www.viscor.com](http://www.viscor.com) for photometric results.

## ProductDetails

### Dimensions



### Ordering

TDSW [ ] [ ] - [ ] [ ] [ ] [ ] - [ ] **Options**

**Size (Width x Length)**  
1x4  
2x2  
2x4

**No. of Lamps**  
2L  
4L

**Lamp Watts**  
See Table below

**Lamp Type**  
T5  
T5HO  
T8  
PLL

**Voltage**  
120 - 120V  
347 - 347V  
UNV - 120-277V  
UN4 - 347-480V

**Ballast Type**  
N - Instant Start  
P - Prog. Start  
R - Rapid Start

- Ballast Options**  
(See Option Code Section For More Information)
- B01 Ballast Disconnect - In-line Power Disconnect (CSA-UL Req'd For Voltages above 150v)
  - B02 Dimming Addressable Digital (dali)
  - B03 Dimming Low Voltage
  - B04 Dimming Line Voltage
  - B08 Ballast - High Ballast Factor
  - B09 Ballast - Low Ballast Factor
  - B30 Emergency Lighting Battery Pack Spec Grade
  - B33 Emergency Lighting Battery Pack 1-lamp
  - B34 Emergency Lighting Battery Pack 2-lamp

- Housing Construction Options**
- C06 Housing 20 Gauge Riveted
  - C07 Housing 20 Gauge Welded
  - C25 Shield Non-Perforated Matte White

- Packaging Options**
- K0 Bulk Pack

- Fusing and Breaker Options (select one only)**
- T5 Fuseholder, In-line Double Pole
  - T6 Fuseholder, In-line Single Pole

- Wiring Options**
- V09 Flexible Whip (standard 6" X 3-18 Ga. )
  - V19 Modular Wiring System (consult factory)
  - V25 Radio Frequency Filter

- Approval and Rating Options**
- X6 USA Market
  - X7 CSA and USA Market

**X = Standard Option**  
Other options may be available.

#### Example:

TDSW2x42L-T528PUNV-B01V25

#### Lamp Watts

Size	Nom. Lamp Watts			
	T5	T5HO	T8	PLL/Biax
1x4	28	54	32	-
2x2	14	24	17	40, 50 55
2x4	28	54	32	40, 50, 55

Certain configurations may not be available. Consult the factory for more information.

Note: For recessed drywall applications, use either a 1x4, 2x2 or 2x4 flange kit (p.237).

Note: For recessed drywall applications use either a 1x4, 2x2 or 2x4 flange kit (page 243).